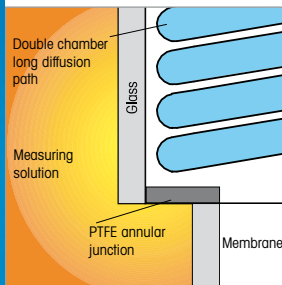


High Performance pH Probes

For the Harshest Process Conditions



Two electrolyte chambers with long diffusion path

The special construction of the reference system provides exceptional resistance to aggressive media and poisoning substances. This results in longer sensor lifetime and lower sensor turnover.



Flat membrane for highly abrasive media

The InPro 4801 i and InPro 4881 i feature a flat membrane especially suited for use in sticky or high solid content fluids.



Digital signal

100% signal integrity. Immunity to electrical interference and signal distortion ensures stable and accurate data.



Robust construction with titanium shaft

Featuring a titanium shaft and a stainless steel thread, the InPro 4881 i has been designed to withstand not only the most aggressive process conditions, but also the common everyday knock in industrial sites.



ISM®

InPro 4800 (i) & InPro 4881 i – Rugged pH probes for the most challenging applications

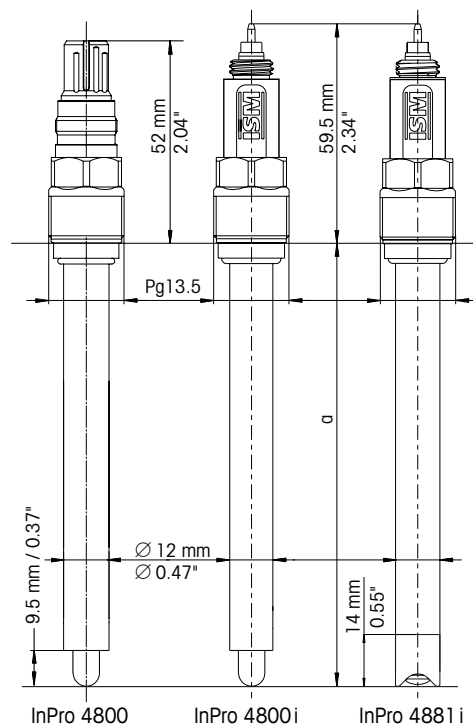
The InPro 4800 family, with substantially prolonged operational life in the presence of aggressive chemicals or at high operational pressures, significantly reduces electrode maintenance and frequency of replacement. The probes offer reliable measurements in oxidizing media, strong acid or alkali solutions, sulfide-bearing media, etc.

Unplanned process downtime due to glass pH sensor shaft breakage is a frequent issue in industrial environments. The InPro 4881 i features a rugged titanium shaft and its flat pH membrane is protected by a PEEK cap providing a robust solution for achieving process safety in challenging industrial environments.

The InPro 48xx i is the best choice for high demanding chemical processes such as chemical processing, chlor-alkali, pulp and paper, dyes and pigments, and sugar processing.

Technical data of the InPro 4800 (i) & InPro 4881 i

pH range	InPro 4800 (i):	0 – 14 pH
	InPro 4801 (i), InPro 4802 (i):	1 – 14 pH
	InPro 4881 i:	1 – 14 pH
Temperature	– 5 to 130 °C (23 to 266 °F)	
Pressure	12 barg at 130 °C (174 psi at 266 °F)	
Cable Connection	ISM: K8S; Analog: VP	
Process Connection	Pg 13.5 thread	
Reference system	Ag/AgCl system, pressure-compensated double gel-electrolyte chambers	
Type of junction	Exterior: PTFE annular diaphragm Interior: Non-flow ceramic diaphragm	
Reference electrolyte	Gel	
Lengths	120 mm, 225 mm, 425 mm	
Shaft diameter	12 mm	
Shaft materials	InPro 480x (i): Glass; InPro 488x i: Titanium	
Temperature sensor	ISM: Digital; Analog: Pt 100 or Pt 1000	
Sterilizable	No	
Autoclavable	No	
pH membrane	Various by applications	
Solution ground	InPro 480x (i): Platinum; InPro 488x i: Titanium	
Certificates	METTLER TOLEDO Quality certificate, Pressure Equipment Directive guidelines (PED) 97/23/EC ATEX: Ex ia IIC T6/T5/T4/T3 Ga/Gb, FM: IS Cl. I,II,III Div 1, GR ABCDEFG/T6 EN 10204-3.1 (InPro 4881 i)	



- ▶ www.mt.com/InPro4800
- ▶ www.mt.com/InPro4881i

Get a complete solution tailored to your application.



www.mt.com/pro

Visit for more information

Sales and service:



Management System certified according to ISO 9001 / ISO 14001

Mettler-Toledo GmbH
Process Analytics
8902 Urdorf, Switzerland
Phone +41 44 729 62 11
Fax +41 44 729 66 36

Subject to technical changes.
© 04/2016 Mettler-Toledo GmbH.
Printed in Switzerland. 30 319 714